



## ▶ Chart drives

830

- Fast/Slow
- UL Approved

This standard chart drive offers accuracy and reliability for precision measurements. The quartz movement concept provides robustness, and it was design to operate into a temperature range of  $-40^{\circ}$  F up to  $+140^{\circ}$  F. The universal mounting plate makes it easy to install into all commonly use recorders.

### ▶ Main Features

- **Concept**

In precise combination of Fast-Slow drive and corresponding Fast-Slow charts, a greatly enhanced flow pattern will be registered in the test sector of  $90^{\circ}$ .

- **Application**

The full potential of the Fast-Slow idea is recognized at measurement points where the expected chart pattern is a wide, solid band or narrow, high spikes.

- **Benefits**

Advantages are identified such as improved chart reading accuracy, manpower savings and elimination of separate test charts.

### ▶ Technical data

Standard Fast/Slow battery chart drives			
Part N°	Mounting plate type	Output shaft	Approvals
830R001	A	¼" Dia. CCW	UL

## ▶ Characteristics

Advantages				
Rotating speeds	Test: Regular: Test Fast: Slow: Fast/Slow:	60 min 1d - 7d - 8d - 31d 90 min - 24hr 6hr - 7d 24hr - 7d 24hr - 16d	6hr - 8d 24hr - 8d 24hr - 31d	
Rotation	Counter clock wise			
Accuracy	Quartz controlled			
Function indicator	Pulsating GREEN LED: all fast speeds Pulsating RED LED: all slow speeds and single speeds			
Torque	25 IN-OZ at all speeds			
Operating temperature range	-40° F to 1 40° F			
Corrosion protection	Sealed with gaskets			
Power supply	1.5 V Alkaline "C" Size battery			
Battery life	SPEED 60 minutes 24 hours 7-31 days	AMB. TEMP. 2 weeks 6 months 24 months	32° F 1 week 4 months 16 months	-5° F 1 week 3 months 12 months
Mounting	No additional standoffs required			
Approvals	UL Listed: class 1 Groups C & D CUL Listed: class 1 Groups C & D Intrinsically safe chart drive			
Patent	US patent 4.492.905			
Availability	SONCEBOZ CORPORATION - Ann Arbor, MI Distributors / Service Companies Throughout the US and Canada			

Special requirements upon customer specifications. Right to change reserved.

< 1.0 >

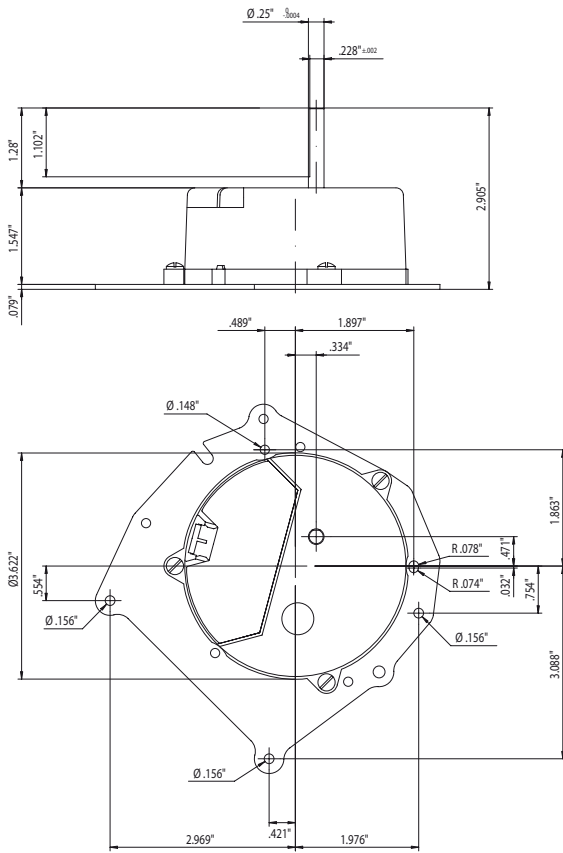
Peterson Instruments  
#123, 5655-10 street NE  
Calgary, AB Canada T2E8W7  
Phone: +1 (403) 291-9169  
Toll Free: +1 (800) 667-7993  
Fax: +1 (403) 291-0960  
sales@petersoninst.com  
www.petersoninst.com



► Dimensions

Drawing not to scale. All dimensions in inches.

- A - Universal mounting plate



► Chart hubs are available



Special requirements upon customer specifications. Right to change reserved.

< 1.0 >

Peterson Instruments  
 #123, 5655-10 street NE  
 Calgary, AB Canada T2E8W7  
 Phone: +1 (403) 291-9169  
 Toll Free: +1 (800) 667-7993  
 Fax: +1 (403)291-0960  
 sales@petersoninst.com  
 www.petersoninst.com



## ▶ Chart paper available

- Sonceboz Fast/Slow Chart Paper  
Exclusively designed for type 830 chart drive

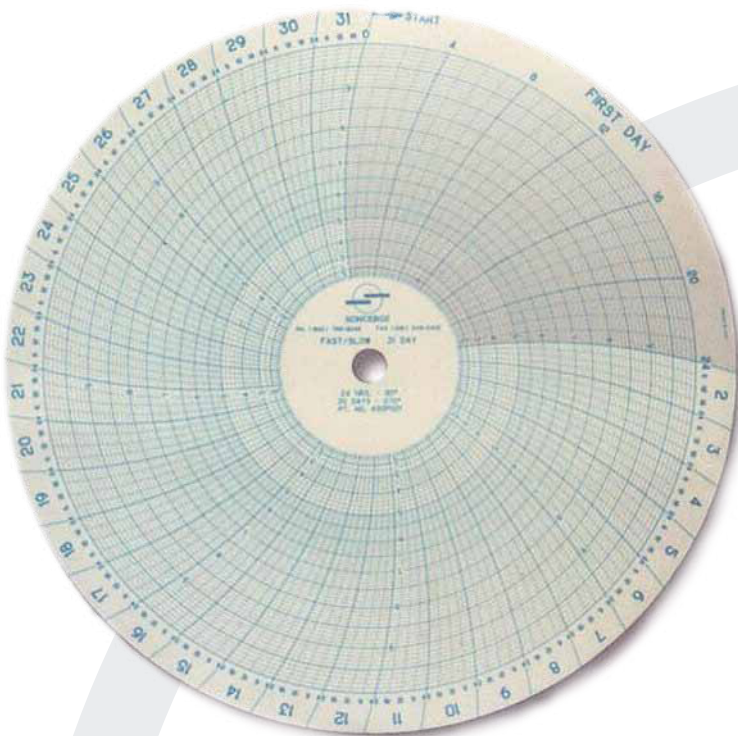


Chart paper available

Part N° Linear 0-100	Description Rotation	Part N° Square Root L10
830P010	7 days 6 hr - 90° 6 days/18 hr - -270°	
830P011	8 days 6 hr - 90° 7 days/18 hr - 270°	830P017
830P012	7 days 24 hr - 90° 6 days - 270°	830P018
830P013	8 days 6 hr - 90° 6 days/18 hr - 270°	830P019
830P014	7 days 6 hr - 90° 6 days/18 hr - 270°	
830P015	31 days 24 hr - 90° 30 days - -270°	

Special requirements upon customer specifications. Right to change reserved.

< 1.0 >

Peterson Instruments  
#123, 5655-10 street NE  
Calgary, AB Canada T2E8W7  
Phone: +1 (403) 291-9169  
Toll Free: +1 (800) 667-7993  
Fax: +1 (403) 291-0960  
sales@petersoninst.com  
www.petersoninst.com

